



- U - BRACKET SWITCHING POWER SUPPLY
- UNIVERSAL INPUT RANGE 90...264 VAC, 47...63HZ OR 120...370VDC
- ULTRA COMPACT SIZE
- 3000 VAC INPUT-OUTPUT ISOLATION
- REGULATED OUTPUT
- 250W WITH 18CFM FAN
- EFFICIENCY UP TO 80%
- PFC FUNCTION

ELECTRICAL SPECIFICATIONS

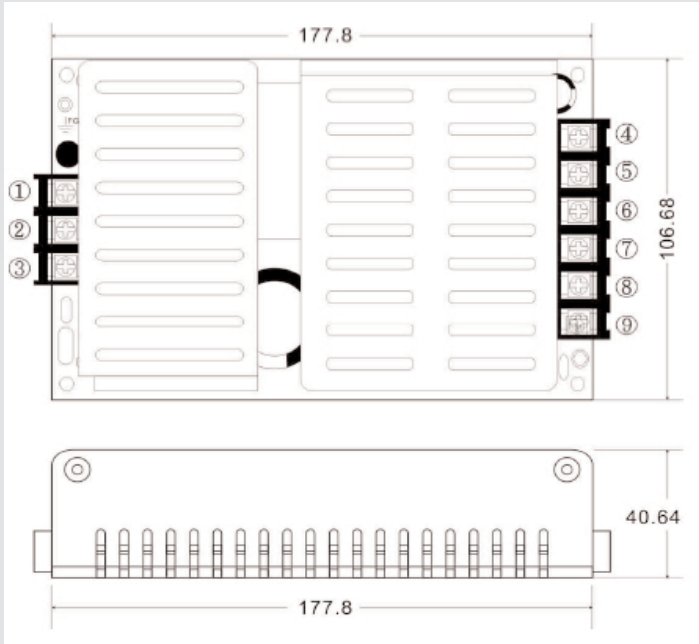
All specifications valid at nominal Input voltage, full load and +25°C after warm-up time unless otherwise stated.

Model No. (Single Output)	AMEU250-3.3SZ	AMEU250-5SZ	AMEU250-12SZ	AMEU250-15SZ	AMEU250-24SZ	AMEU250-48SZ	
Max. Output Wattage (18CFM Fan)	132W	200W	250W	250W	250W	250W	
Max. Output Wattage (Convection)	105W	120W	200W	200W	200W	200W	
Input	Voltage						90-260 VAC or 120-370 VDC
	Frequency (Hz)						47-63 Hz
	Current (Full Load)						4A Max. (115VAC) / 2A Max. (230VAC)
	Inrush Current (<2ms)						40A Max. (115VAC) / 80A Max. (230VAC)
	Leakage Current						3.5mA max.
	Power Factor						PF>0.97 (115VAC) / PF>0.93 (230 VAC) at Full Load
Output	Voltage (VDC)						3.3V 5V 12V 15V 24V 48V
	Voltage Accuracy						±2%
	Max. Current (18CFM Fan)						40A 40A 20.83A 16.66A 10.4A 5.2A
	Max. Current (Convection)						31.81A 32A 16.67A 13.34A 8.34 4.17A
	Line Regulation (LL-HL) (typ.)						±1%
	Load Regulation (5-100%) (typ.)						±1%
	Minimum Load						0%
	Maximum Capacitive Load						470-23,000µF Depending on model.
	Ripple & Noise						100mV max. 1% max.
	Efficiency						69% 75% 80% 80% 80% 80%
	Hold-up Time						18ms min.
Protection	Over Power Protection						Auto Recovery
	Over Voltage Protection						Zener diode clamp
	Short Circuit Protection						Auto Recovery
Isolation	Input-Output (VAC)						3000V
	Input-FG (VAC)						1500V
	Output-FG (VAC)						500V
Environment	Operating Temperature (Conv)						-25°C ... +70°C (with derating)
	Storage Temperature						-40°C ... +85°C
	Temperature Coefficient						0.02% / °C (0~50°C)
	Humidity						95% RH
	MTBF						> 50,000 hrs @ 25°C (MIL-HDBK-217F)
Physical	Dimensions (LxWxH)						7 x 4.2 x 1.6 Inches (177.0 x 106.68 x 40.64 mm) Tolerance ±0.5mm
	Weight						770g
	Cooling Method						Free Air Convection / 18CFM Forced Air
EMC	EMI (Conducted & Radiated Emission)						EN55022 Class B
	EMS (Noise Immunity)						EN55024

Specifications are subject to change without notification.

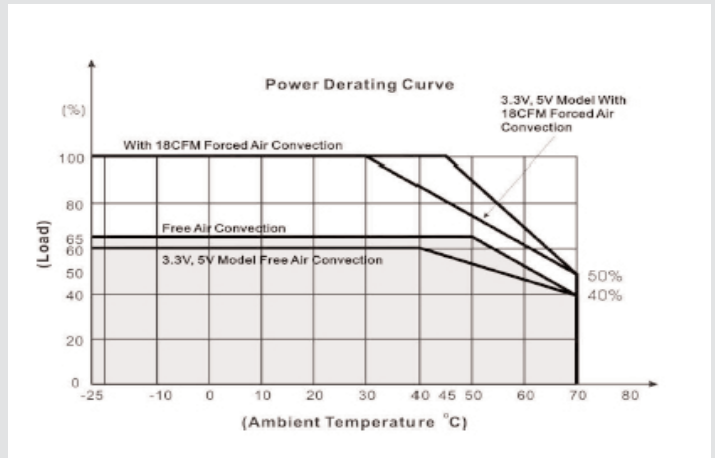
OUTLINE DIMENSIONS & PIN CONNECTIONS

MECHANICAL DIMENSION (Top View)

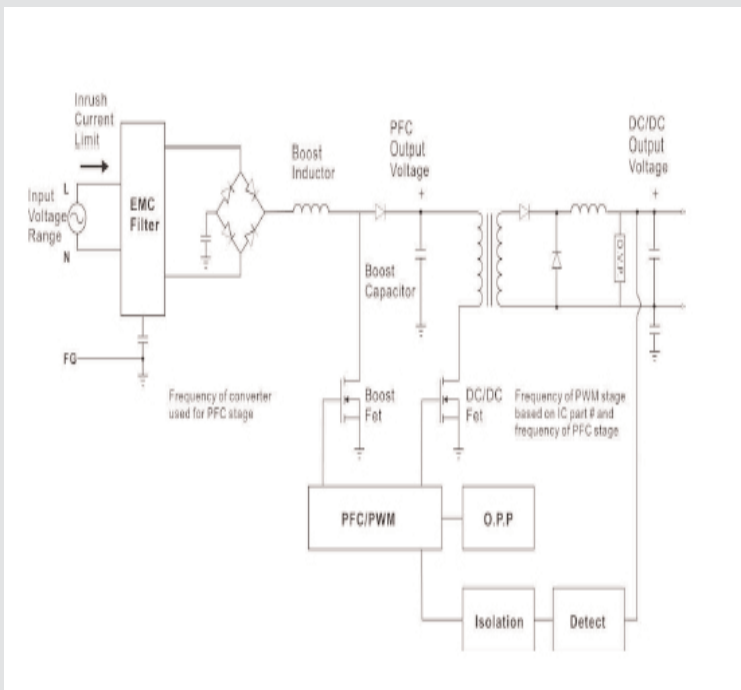


Pin	Single
1	FG
2	AC IN (N)
3	AC IN (L)
4	+DC Output
5	+DC Output
6	+DC Output
7	-DC Output
8	-DC Output
9	-DC Output

DERATING



BLOCK DIAGRAM SINGLE OUTPUT VOLTAGE



STATIC CHARACTERISTICS

